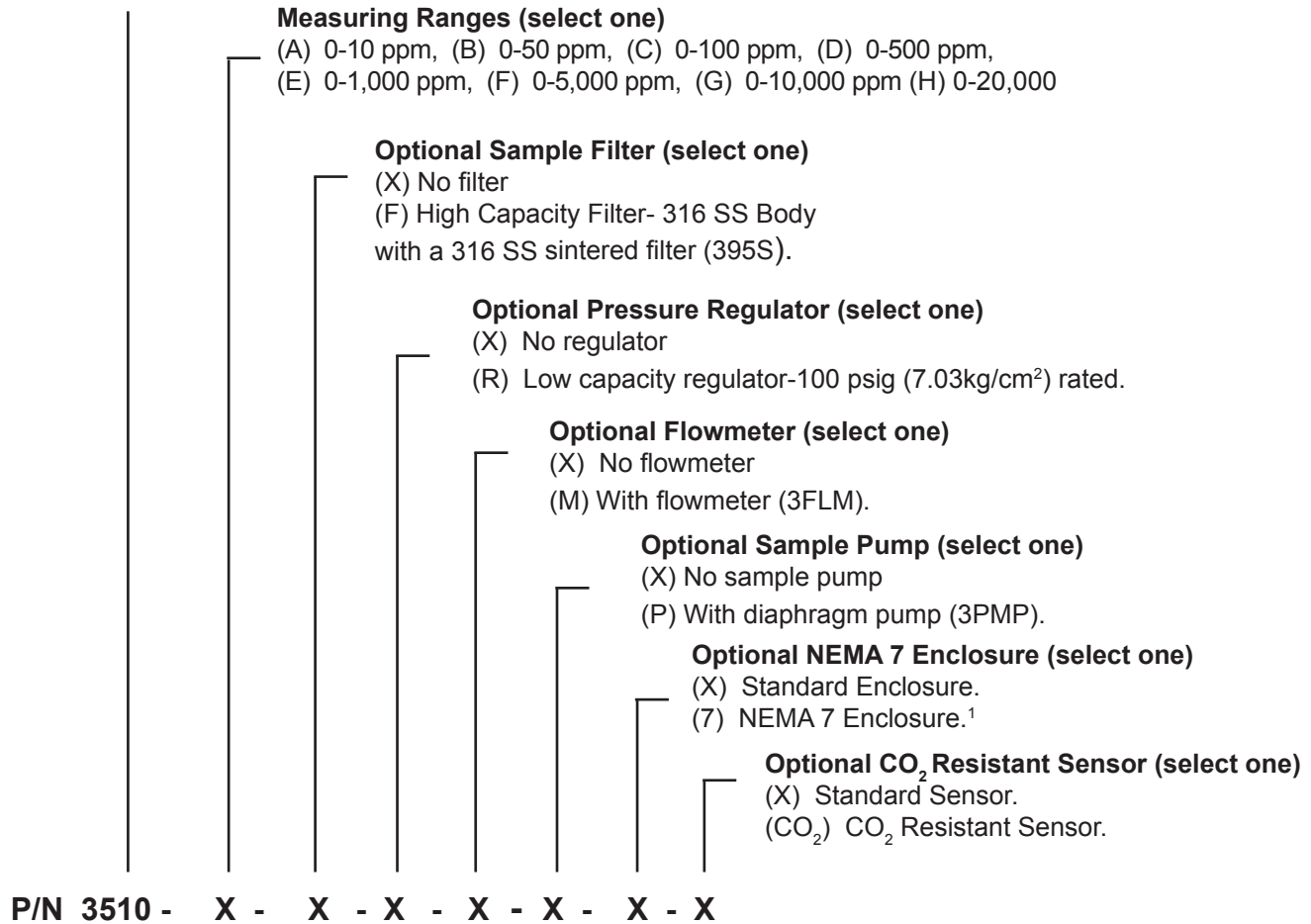


### Ordering Information

#### Series 3510 Trace O<sub>2</sub> Transmitter



#### OPTIONS/ACCESSORIES

Description	P/N
<b>Solenoid Valves-</b> Pair of AC valves that together with a PLC or other control device can be programmed to automatically isolate the oxygen sensor when not in use.	<b>3IOV</b>
<b>Replacement Sensor-</b> Replacement sensor for the Series 3000 Trace Oxygen Analyzer. <i>Note: When a replacement or spare sensor is ordered, the measuring range(s) of the instrument must be included.</i>	<b>3SEN</b>

Configuration Example : Series 3510 Trace O<sub>2</sub> Transmitter with a range of 0-10,000 PPM, optional flowmeter, optional sample pump, and optional CO<sub>2</sub> Resistant Sensor. (p/n 3510-G-X-X-M-P-X-CO<sub>2</sub>)

Note:  
1. The standard Series 3510 Trace Oxygen Transmitter is housed in a NEMA 4 (watertight) housing. If equipped with the optional NEMA 7 enclosure, the instrument can be used in areas requiring Class 1, Groups B, C, D, Div 1; or Class II, Groups E, F, G; or Class III equipment.