

PRODUCT DATASHEET

OXY-SEN

Percent Oxygen Monitor



FEATURES	BENEFITS
State-of-the-Art Sensor Technology	Expected life upwards of 3-4 years
Acid Gas Resistant Sensor	Operates in harsh environments
Low Cost of Acquisition	Priced at just over \$1k
Excellent Speed of Response	Responds instantaneously to changes in O ₂
Certification	CE
Factory Calibration	Factory calibration and certificate included at no additional charge

Product Description

The OXY-SEN™ Percent Oxygen Monitor is an economically priced monitoring system with a standard measuring range of 0-100%. Comes equipped with dual 4-20 mA DC recorder outputs that are scaled over 0-100% and 0-25%. The instrument features an extended life, ambient temperature electrochemical sensor that is extremely resistant to a variety of acid gases including carbon dioxide. The front panel has an easy to read, 3-1/2 digit liquid crystal display. Input power to the OXY-SEN is 115/230 VAC, 50-60 Hz or 24 VDC. The OXY-SEN can be wall/panel mounted or used as a bench-top device.

The OXY-SEN was designed primarily for applications where the user prefers to mount the gas diffusion end of the sensor through a chamber, glove box, reactor, etc.

The diffusion end of the sensor has a threaded stock, providing an easy and convenient way of installing the sensor through the wall of a chamber, glove box, etc. by simply drilling and tapping an appropriately sized hole. Ten feet of coiled interconnecting sensor cable is supplied with each OXY-SEN Oxygen Monitor.

For gas tight integrity, the extended-life sensor is equipped with an "O" ring that helps to form a gas-tight seal. Using a threaded sensor eliminate the need to use sample pumps, air driven aspirators, etc. to provide sample to the sensor.

Optional flow through sensor housing is available for applications where external sampling is required.

SPECIFICATIONS

Performance

Measurement Range:	0-100% oxygen (gas phase)
Measurement Error:	±1% of full scale (at 77°F and 29.92" Hg)
Linearity:	±1% of full scale
Response Time:	90% of full scale in under 30 seconds
Sensor Type:	Long-life ambient temperature electrochemical
Temperature Compensation:	Standard
Operating Temperature Range:	40° to 104°F (5° to 40°C)
Warranty:	2 years on electronics, 1 year on sensor

Electrical

Display:	3-1/2 digit liquid crystal display
Input Power:	115/230 VAC, 50-60Hz or 24VDC
Analog Output:	4-20 mA DC scaled over 0-100% O ₂ and 0-25% (Optional): O ₂ (selectable by connector position).

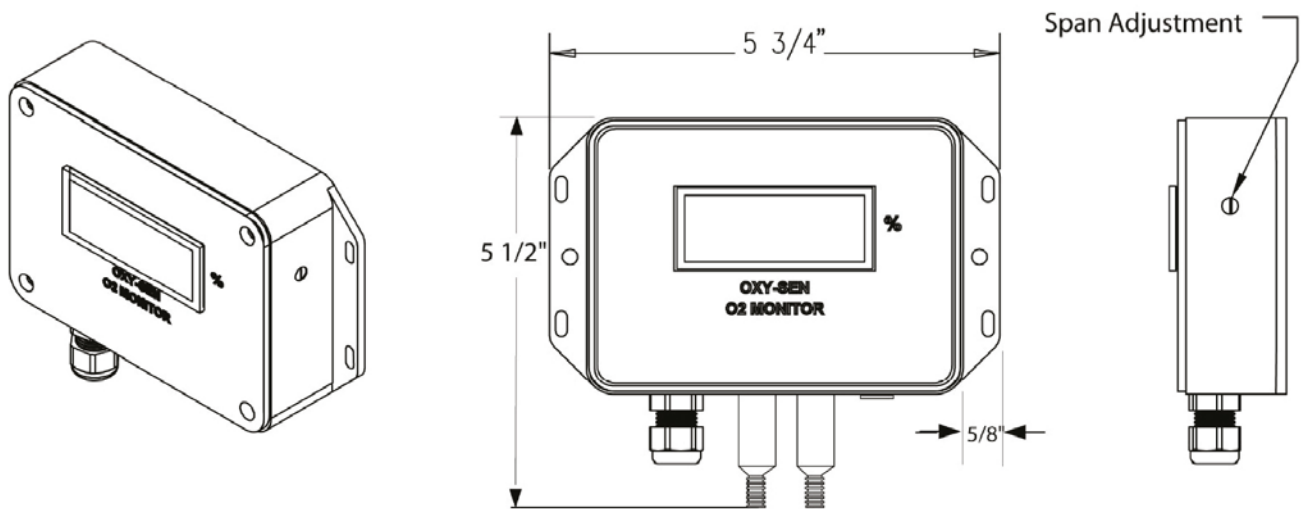
Sample Gas Characteristics

Storage Temperature Range: 40° to 104°F (5° to 40°C)
Sample Gas Pressure Limits: < 2 psig (0.14 kg/cm₂)

Construction

Dimensions of Electronics: 5-3/4 in.(146.05 mm) width
Enclosure*: 5-1/2 in.(139.70 mm) height
1-1/4 in.(31.75 mm) depth
Dimensions of Sensor: 1.85 in.(47 mm) height
0.9 in.(22.86 mm) depth
Thread depth: 0.29 in.(7.34 mm) (exclusive of O-ring)
Thread size: M16 X 1
Weight (with 10' of sensor cable): < 2 lbs (<0.907 kg)

* Note: All dimensions are without optional equipment



Outline dimensions

PREMIUM INSIGHTS – GAIN REAL-TIME INSIGHT INTO YOUR PROCESS

Process Insights' products and solutions deliver innovative and differentiated analysis and measurement solutions and technologies that add high value to our customers and protect the environment.

Our commitment is to deliver smart and affordable innovation that optimizes process, improves safety, and transforms our world.

CENTERS OF EXCELLENCE

PROVIDING PROVEN SOLUTIONS FROM A GLOBAL TECHNOLOGY LEADER

COSA Xentaur

4140 World Houston Parkway
Suite 180
Houston, TX 77032
USA
+1 713 947 9591
www.alphaomegainstruments.com
service@cosaxentaur.com

Process Insights – The Americas

4140 World Houston Parkway
Suite 180
Houston, TX 77032
USA
+1 713 947 9591
info@process-insights.com

Process Insights – EMEA

ATRICOM
Lyoner Strasse 15
60528 Frankfurt
Germany
+49 69 20436910
info@process-insights.com

Process Insights – APAC

Wujiang Economic and Technology
Development Zone
No. 258 Yi He Road, 215200 Suzhou
Jiangsu Province China
+86 400 086 0106
info@process-insights.com

OUR PREMIUM GLOBAL BRANDS

